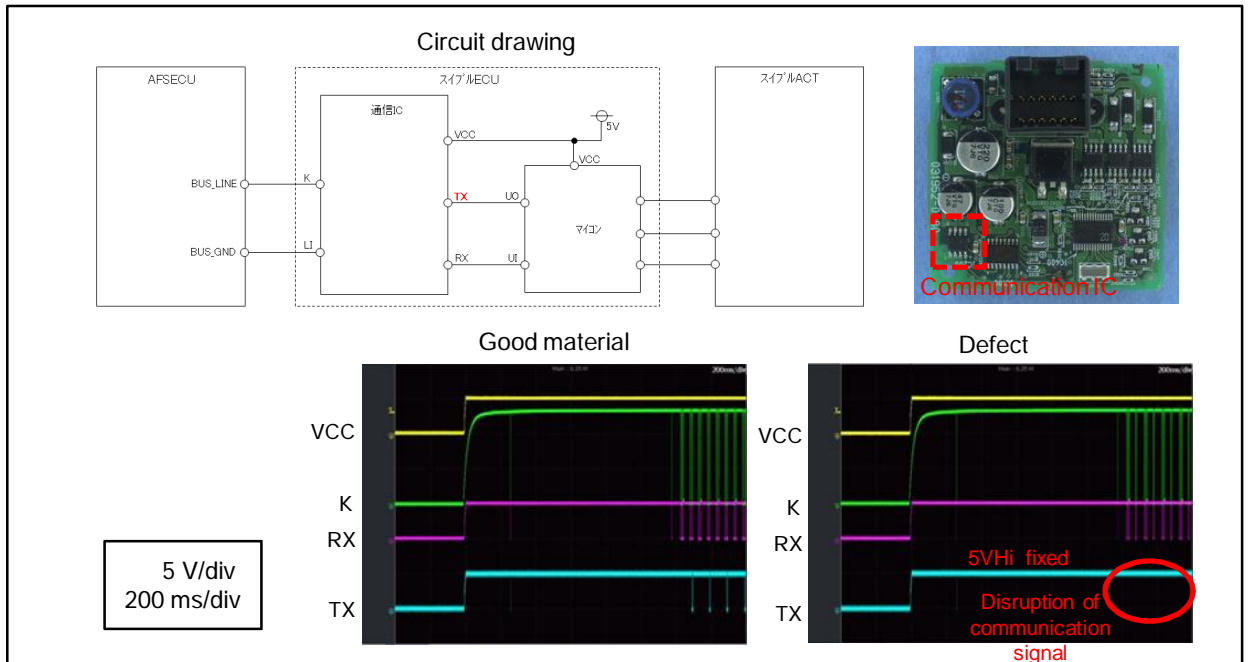


Waveform check ...As a result of in/output waveform of communication IC in swivel ECU, confirmed that TX signal.



Estimated failed circuit block ... Estimated that there on the oscillation circuit part seem abnormality, because T X signal outputs 5V Hi-fixed.

